



**Mk. 3**

**INSTRUCTIONS TO THE USER**

**THE J·P ENGINEERING COMPANY, LIMITED**

*Manufacturers of J·P. Super Lawnmowers*

MEYNELL ROAD · LEICESTER · ENGLAND

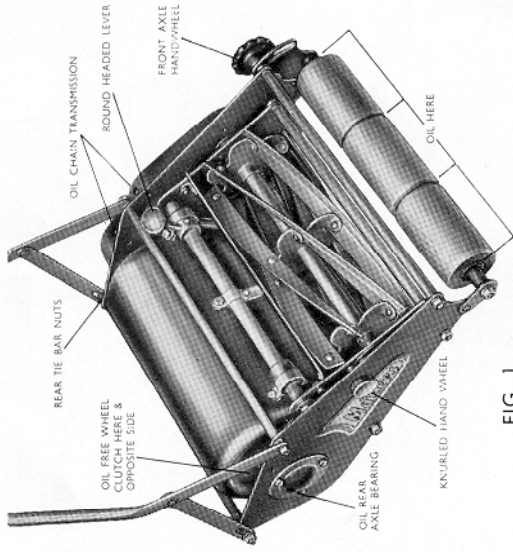


FIG. 1

**INSTRUCTIONS**

**SECTION 1 LUBRICATION**

The following oiling points on the machine should receive frequent attention:—

- (a) The chain transmission through the two oil holes provided on top of the chain case cover. (First remove rubber oiling plugs.) See Fig. 1.
- (b) Oil round the centre rim of the freewheel clutch mounted on the rear axle shaft on each side of the drum rollers. See Fig. 1.
- (c) Oil rear axle bearing through the oil hole provided in the small cover. (First remove rubber plugs.) See Fig. 1.
- (d) Oil front rollers by applying oil at the space provided between each roller. To assist the feed of oil, tip the machine on each side when oiling. (See Fig. 1.)
- (e) Oil the main frame cutter and rear axle bearings seen at the back of the large and small chain sprockets. (First remove transmission cover.) See Fig. 2.
- (f) Oil rotary cutter bearings. (First remove detachable unit.) See Fig. 3.
- (g) Apply oil around the two steel straps which hold the eccentric adjuster in position. Work adjuster backwards and forwards to assist entry of oil. (See Fig. 3.)

*Attention to the oiling points should be given say once a month when machine is in use. NOTE.—Always use a good grade of thin machine oil. The J.P. quality, specially refined, is obtainable from all stockists in pint tins, or direct from us.*

**FOREWORD**

J.P. SUPER LAWNMOWERS have already established a high reputation for their efficiency and reliability.

The Maxees model featuring the detachable unit is made in two sizes, 12" and 14". Great care has been given to the details of design and the machine is produced to precision engineering standards and will ensure efficient service with delightful ease of movement.

With proper care and attention to these instructions, its cutting efficiency can be maintained for many years.

**J-P**

**SECTION 2**

**SETTING AND ADJUSTMENT, PREPARATORY TO USE**

**(a) Cutter Setting Adjustment**

Adjust the shear blade to the rotary cutter by moving the round headed adjusting lever in the direction towards the rear roller as far as it will go as permitted by the cutter setting stop; this will bring the bottom blade into a **LIGHT AUDIBLE CONTACT** with the rotary cutter which is the correct adjustment for cutting. (See Fig. 1.)

**(b) Adjusting for Close to Medium Cutting**

This adjustment is made by the front axle handwheel (see Fig. 1)—unscrew the handwheel a turn, adjustment can be made to any position on the traversed slot. The adjusting bracket should never be set too far back when dealing with a heavy crop, or when mowing the lawn at the early part of the season. Latterly, as the ground gets harder, and the growth more even, the adjustment may be set further back and the machine will cut to a very close degree and finish.

For ordinary cutting, the front rollers should never be set in the lowest position unless the ground is firm and level.

After making the adjustment, be careful to re-tighten the handwheel firmly, to prevent the adjustment from moving.

**(c) Handlebars**

These adjust to a higher or lower position by slackening the rear tie bar retaining nuts, situated on the slot of the handlebar supporting strut (see Fig. 1) taking care to tighten the nuts securely after adjustment.

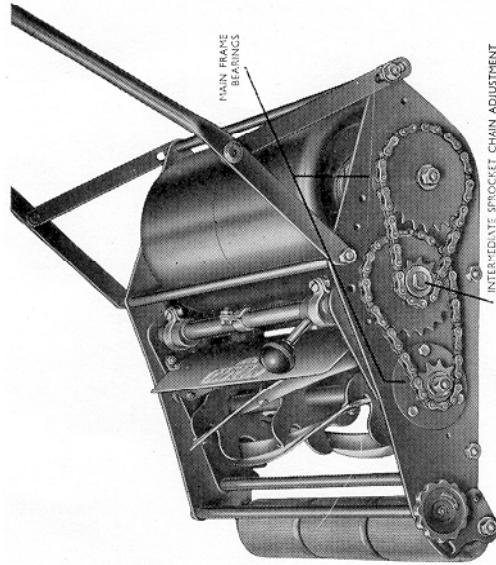


FIG. 2

**(d) Fixing the Grassbox**

To fix the grassbox into position, first insert the two metal wings between the chassis side frame. The box can then be lowered, with the bottom slot of the wing engaging in each of the unit supporting pegs, and the upper slot resting on the front cross tie bar.

**Mowing**

When mowing push down in the direction of the rear roller, and not onto the front rollers; this will facilitate ease of movement in the working of the machine.

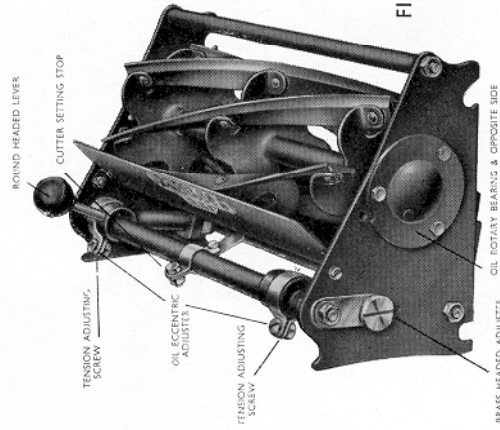


FIG. 3

**SECTION 3 MAINTENANCE ADJUSTMENTS**

Reference in the instructions to left or right hand side of the machine is always understood to be taken when standing in the working position.

**Cutter Setting Stop**

The machine is fitted with a cutter setting stop, the feature of which is a great assistance insofar that after the mowing is completed, the cutting contact of the shear blade and rotary cutter can be released by moving the round headed lever forward away from the rear roller; subsequently when the machine is to be used again, it is only necessary to move the round headed adjusting lever as far as it will go up to the setting stop, which will bring the cutter setting in the pre-adjusted position.

**Special Note:** On any future occasion of the cutters being reground, or the machine dismantled, it is important to see that the cutter setting stop is re-adjusted and the procedure should be as follows:

- (1) First unscrew the locking nut of the setting stop screw a couple of turns to release the stop and make it free on the tube. (See Fig. 3.)

- (2) Now set the bottom shear blade parallel to the rotary cutter. (Please refer to the instructions, reference Parallelism of Cutters.)
- (3) Adjust the bottom shear blade to a LIGHT AUDIBLE CONTACT with the rotary cutter by moving the round headed lever in the direction of the rear roller. (See Fig. 3.)
- (4) With the cutters adjusted to a LIGHT AUDIBLE CONTACT, the cutter setting stop should be rotated and positioned so that the bottom end of the stop contacts up against the back of the grass shield. The lock nut and screw should then be tightened securely in position. A light audible contact between the rotary cutter and the shear blade will give the best cutting results. Too harsh a contact will only cause unnecessary wear and make the machine harder to push.

#### Chain Adjustment

Any necessary adjustment required by the driving chains can be effected by highering and lowering the combined intermediate large and small centre sprocket (see Fig. 2) and the following procedure should be carried out:—

First remove the transmission chain cover, then take the cutter unit from the chassis. See Fig. 4.

On the inside of the rear frame, opposite the centre intermediate sprocket, will be seen the sprocket stud nut, and this should be slackened half a turn, afterwards the sprocket stud can be highered or lowered, as desired, in the slot. Highering will tighten the chains.

After the adjustment is made, the nut should be securely tightened.

*(Do not make the chain adjustment too tight; a slight free slackness should be allowed.)*

#### Parallelism of Cutters

The cutter unit is set and inspected before despatch to cut equally along the whole length of the rotary cutter when the contact adjustment with the bottom shear blade is made, and no attention to correct any mis-alignment should be necessary unless the machine has been dismantled or subjected to excessive shock or through fouling an obstruction.

Out of alignment of the bottom shear blade with the rotary cutter can be corrected by the following adjustment:—

First remove the cutter unit from the chassis, on the right hand side of the unit will be seen a brass headed adjuster which is connected to the top tie bar by a flat link. (See Fig. 3.)

The tie bar nut should be unscrewed a couple of turns and the brass adjuster should then be turned; this action will higher or lower the knife frame to which is attached the shear blade, and will enable the bottom shear blade to be adjusted into parallel relationship with the rotary cutter.

To ensure that the adjustment has been made correctly, the setting should be tested with a strip of ordinary brown paper by cutting from end to end on each blade of the rotary cutter.

The cutting test should be made with the shear blade adjusted to a light audible contact with the rotary cutter. Ref. 1-4: Cutter Setting Stop.

After adjustment, tighten up the tie bar locknut securely.

#### Tension of the Shear Blade Adjuster

The tension of the round headed lever adjuster for bringing the blades into contact can be adjusted by the screws which secure the two knife frame straps in position. (See Fig. 3.)

Under the holding screws is a compression washer which permits tension adjustment to be made. The two holding screws should always be reasonably tight to give a moveable tension to the eccentric adjustment which is operated by the lever. The correct tension adjustment is important as it ensures against any disturbance of the cutter setting through vibration.

#### Cleaning and Removing the Rotary Cutter Unit

Upon completion of the mowing, clean off all the clinging grass and dirt and store in a dry tool shed. NEVER USE WATER.

To clean the machine thoroughly, the cutter unit can easily be detached from the chassis by unscrewing the knurled handwheel seen on the right hand side frame. (See Fig. 1.)

The cutter unit can be then moved over to the left as far as it will go, clear of the engaging drive coupling and then lifted clear out from the chassis. (See Fig. 4.)

Care should be exercised when cleaning the unit to keep the fingers away from the bottom shear blade and the rotary cutter blades. Handle the unit carefully and do not bump or subject it to shock otherwise the parallel cutting adjustment may be disturbed.

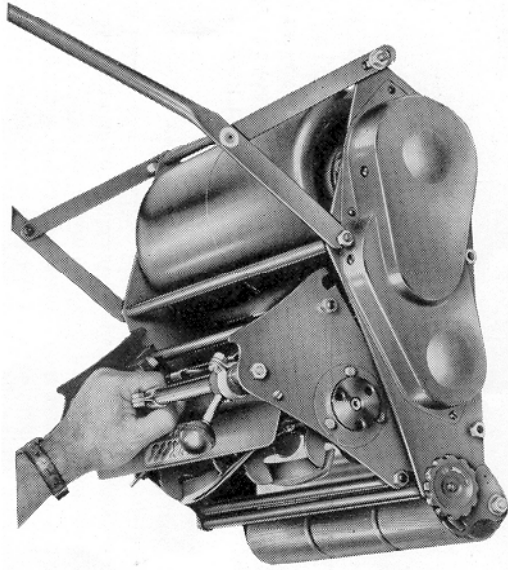


FIG. 4

## Replacing the Cutter Unit

First place the unit between the chassis side frames with the front slots of the unit side plates engaging and resting on the two projecting studs seen one on each side of the chassis. Then lower the unit until the rear slots of the unit bracket engage and sit on to the cross tie bar.

Now move the cutter unit as far as it will go until the drive of the two halves of the coupling is engaged. The knurled handwheel on the right hand side frame should then be screwed up until it engages in the hole of the unit side plate.

## AFTER SERVICE AND INSTRUCTIONS FOR ORDERING

### SPARE PARTS

1. We have available a first-class overhaul and repair Service Department, fully equipped with modern facilities. Consult your Dealer with regard to your requirements, or, in case of difficulty, contact us direct.

Always see that the machines and cutters returned for overhaul and regrinding are properly packed and labelled with the name and address of the sender securely attached. On request, we will dispatch a crate for the return of your machine for works overhaul and service attention.

2. The main parts are listed on pages 7-8 with the respective part numbers. Always give part number and description in full.

3. When ordering spare parts, always quote the serial number of the machine, which you will find stamped on the front edge of the main chain case side frame; it is important that the prefix letters and the serial number reference are quoted in full to ensure that the correct parts are despatched. Always quote the machine number in correspondence.

4. All machines and component parts must be consigned to us, carriage paid, addressed to the Service Department; goods returned by rail are consigned Carriage Paid. Old and worn out parts sent as patterns which we consider are obsolete and of no further use are not returned unless we are specially requested to do so at the time they are sent to us.

5. If required, we are prepared to submit an estimate before proceeding with any repairs.

6. Estimates must be treated as approximate only. We reserve the right to include additional parts should they be found necessary on further examination to make the repair a satisfactory job.

**J.P. Super Lawnmowers are fully guaranteed for the supply by the company of any part against failure proved to be due to faulty material or workmanship.**

## PART NUMBERS AND DESCRIPTION FOR 12" AND 14" MAXEES

Part No.	Description	Part No.	Description
G1-1A/2	Sideframe—Lt. Hd.	G2-19/1	Male Clutch—Cutter
G1-1E/1	Bearing Housing	G2-21	Cutter Sprocket
G1-1C/1	Seiscrews	G2-22/2	Collar—Cutter Sprocket
G1-2A/2	Sideframe—Rt. Hd.	G2-23	Driving Chain
G1-3A	Ballrace—Coupling	G2-25A/2	Male Clutch—Lt. Hd.
G1-3B	Ballrace—Rear Axle		Rear Axle
G1-4/1	Main Tie Bar	G2-25B/2	Male Clutch—Rt. Hd.
G1-6/1	Main Tie Bar—Lower		Rear Axle
G1-7/1	Main Tie Bar—Front	G2-28	Woodruff Key
G1-8/1	Unit Bearing Stud	H2-30/1	Cover Plate—Clutch
G1-10A/1	Handlebar—Rt. Hd.	H2-30A	Setcrew
G1-10B/1	Handlebar—Lt. Hd.	G2-31A	Freewheel Pawl—Lt. Hd.
G1-12A	Clip CS'K—Handlebar		Freewheel Pawl—Rt. Hd.
G1-12B	Clip Plain—Handlebar	G2-31B	Freewheel Hd.
G1-13	Bolt—Handlebar Clip	G2-32S	Spring—Freewheel Pawl
G1-14	Strut—Handlebar	G2-33A	Freewheel Drum Clutch—Lt. Hd.
G1-15/1	Rivet—Handlebar	G2-33B	Freewheel Drum Clutch Sleeve—Lt. Hd.
G1-17/1	Grip—Handlebar	H2-8B	Freewheel Drum Clutch—Rt. Hd.
G1-19/2	Domed Cover Cap—Large	G2-34A	Freewheel Drum Clutch Sleeve—Rt. Hd.
H1-20A/1	Transmission Cover	G3-1/3	Rotary Cutter
G1-20B	Screw—2 BA	G3-5	Female Clutch—Cutter
G1-20C/1	Oil Hole Rubber Plug	G3-8	Ball Race—Cutter
G1-25	Unit Retaining Screw	G3-9/3	Unit Side Plate—Rt. Hd.
G1-25A	Anchor Rivet Bush	G3-10/3	Unit Side Plate—Lt. Hd.
G2-1/4	Rear Axle Shaft	G3-13/2	Unit Tie Bar—Upper
H2-3A	Rear Axle Drum	G3-14/2	Unit Tie Bar—Lower
H2-3L	Bush	G3-15/2	Unit Tie Bar—Front
G2-7B	Seiscrew	G3-19/1	Domed Cover Cap—Small
G2-8	Driving Sprocket—Rear Axle	G3-20	Cover Cap—Drive Side
G2-9/2	Spacing Collar—Rear Axle	G3-21	Bearing Housing—Cutter
19-7-14N	Nut—Cutter and Rear Axle	G4-1/1	Shear Blade
G2-10W	Washer—Cutter and Rear Axle	G4-2	Shear Blade Screw
G2-11/1	Rear Axle Stud—Intermediate Sprocket	G4-3/3	Shear Blade Carrier
G2-12W	Washer—Intermediate Sprocket		
G2-13W/1	Spacing Collar—Intermediate Sprocket		
G2-14	Intermediate Sprocket Assembly		

# THE MAXEES J-P LAWN MOWER

Part No.	Description	Part No.	Description
G4-3C	Clip—Arm Eccentric Adjuster	G4-16B	Angle Bracket
G4-3D	Arm—Eccentric Adjuster	G4-16C	Rivet—Angle Bracket
G4-3E	Screw $\frac{1}{4}$ BSF—Sq. Hd.	B4-16D	Washer
H4-6	Locking Bolt	19-9-9B	Screw
G4-6W	Packing Washer	G4-18	Spacing Collar
G4-7/2	Adjusting Tube	G4-20	Link—Alignment Lever
G4-7S	Setscrew	G4-21	Brass Headed Alignment Adjuster
G4-8	Adjusting Handle	G5-1	Front Roller
G4-9	Adjusting Knob	G5-2/1	Front Axle Shaft
H4-12A	Cutter Setting Stop—Long	G5-4/1	Spacing Tube
H4-12B	Cutter Setting Stop—Short	W5-5W	Washer—Front Axle
G4-16A	Deflector Plate	G5-6	Adjuster Arm
		G5-7	Crank Arm
		G5-9	Handwheel
		G6-0	Grassbox Complete

## PARTS COMMON TO 14" SIZE MAXEES ONLY

Part No.	Description	Part No.	Description
FG1-4/1	Main Tie Bar	FG3-13/2	Unit Tie Bar—Upper
FG1-6/1	Main Tie Bar—Lower	FG3-14/2	Unit Tie Bar—Lower
FG1-7/1	Main Tie Bar—Front	FG3-15/2	Unit Tie Bar—Front
FG1-10A/1	Handlebar—Rt. Hd.	FG4-1/1	Shear Blade
FG1-10B/1	Handlebar—Lt. Hd.	FG4-3/3	Shear Blade Carrier
FG2-1/4	Rear Axle Shaft	FG4-7/2	Adjusting Tube
FH2-3A	Rear Axle Drum	FG4-16A	Deflector Plate
FG3-1/3	Rotary Cutter	FG5-2/1	Front Axle Shaft
		FG6-0	Grassbox—Complete

## THE TWO-IN-ONE

One of the advantages of the Maxees machine is that it need never be out of action. When the cutter unit is removed for overhaul and cleaning, a new cutter unit can be inserted immediately.

Two units in regular use in one Maxees machine give all the advantages of two machines with unlimited length of life.

THE J. P. ENGINEERING COMPANY LIMITED.      L. ICES TER.  
HANDLEBAR ASSEMBLY INSTRUCTIONS FOR MAXEES AND MINI-MOWER MODELS.

MAXEES.

First unscrew and take off the loose nuts and spring washers seen on the outside of the centre and rear tie bars of the chassis. (Do not disturb the inside nuts which are screwed up to the side frame.)

Now place the hole seen in the foot of the handlebar on to the projecting threaded ends of the centre tie bar, at the same time engage the slot in the adjusting strut on to the projecting ends of the rear tie bar. The nuts and washers on each side of the handlebar should be assembled and screwed up lightly.

The clips can now be assembled where the two centre bends meet, the clip with the two counter-sunk holes should be placed on top of the handlebars and the bottom clip assembled on to the threaded ends of the two counter-sunk bolts, assemble washers and nuts and screw up tightly.

The handlebars should now be adjusted for height before finally tightening the centre and rear chassis nuts.

MINI-MOWERS.

These instructions are the same for the Mini-Mower Model with the exception that the two bolts seen on each side of the centre of the chassis replace the tie bar referred to on the Maxees model.